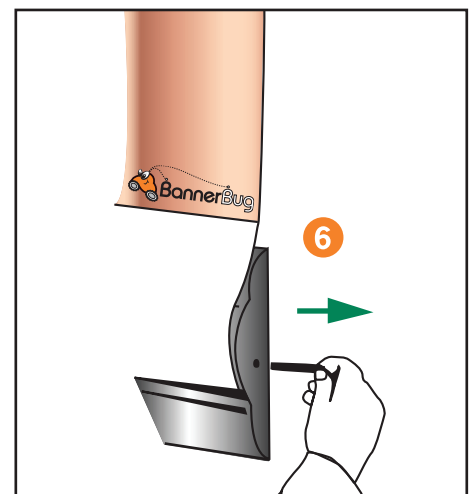
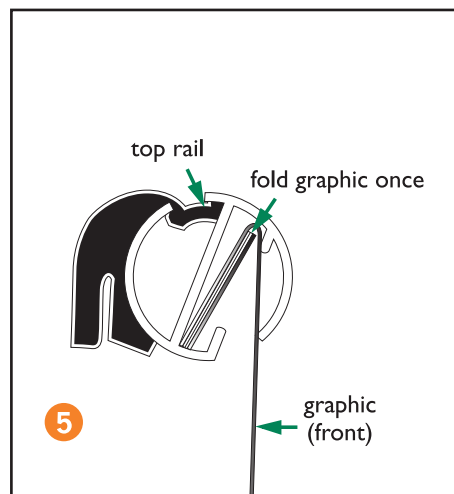
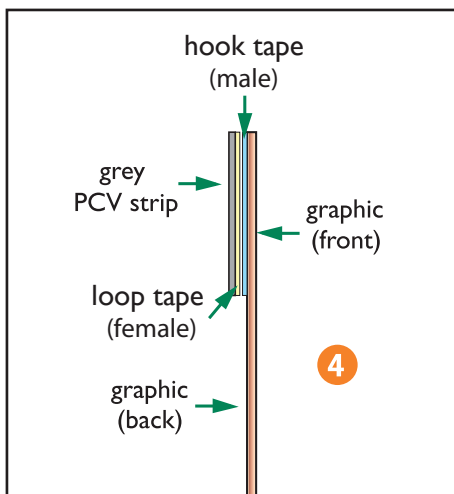
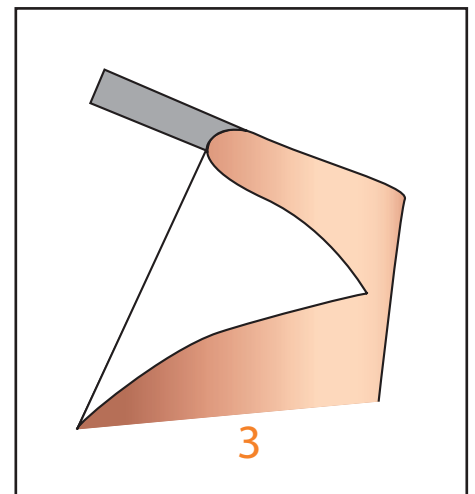
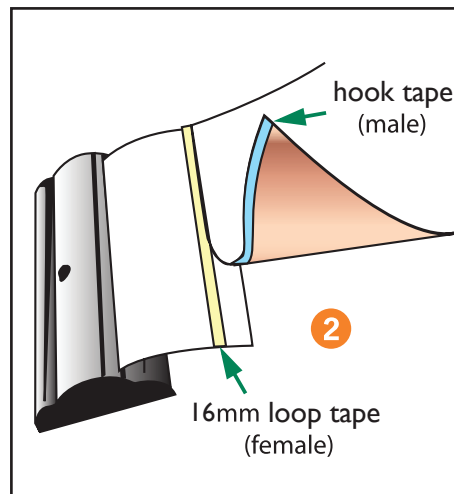
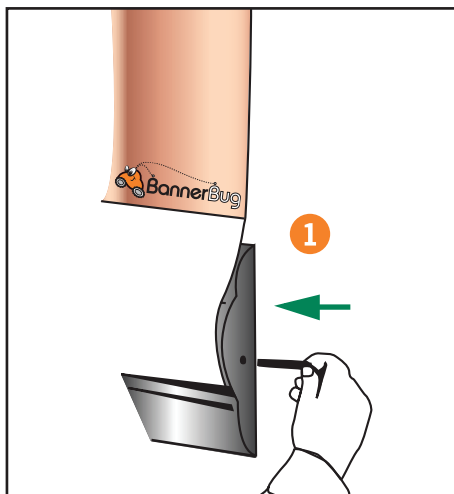


BANNERBUG REPLACEMENT GRAPHIC INSTRUCTIONS

Instructions

- 1 Release the graphic panel completely from the system to expose the PVC tongue and graphic join. Place the pin into the side of the unit when the hole on the roller lines up with the hole in the end cap.
- 2 Carefully remove the existing graphic panel from the PVC tongue. Add 16mm hook tape (male) to the base of your new graphic panel and then place in the same position.
- 3 Slide the 'Top Rail' off the old graphic panel and then carefully remove the grey PVC strip (female loop attached) from your print.
- 4 Add 16mm hook tape (male) to the top of your new graphic panel and then apply the existing grey PVC strip.
- 5 Fold the top of your new graphic backwards once and then slide into the 'Top Rail'.
- 6 While carefully holding the graphic, remove the pin from the side of the system and gently allow the graphic to roll back into the unit.



IMPORTANT NOTE

The top profile adhesive is compatible with most Banner Stand Media but heavily plasticized PVC Vinyl, certain coated and heavy fabrics, may not adhere properly and testing is therefore recommended. Alternatively, replace the hook and loop tape with a 3M or Tesa double sided tape for these more challenging media.